

ASC/DSC Self Aligning Accessories



FEATURES

- Capacities: 30 - 50t
- Hardened components at all bearing surfaces
- Self-aligning construction
- Stainless steel

DESCRIPTION

The ASC and DSC Self Aligning Set, provides weighing assemblies suitable for truck scale, rail scale and process weighing applications.

The Self Aligning Set is specially designed to be used in weighbridges without stay or check rods. Eccentric washers are used to ensure

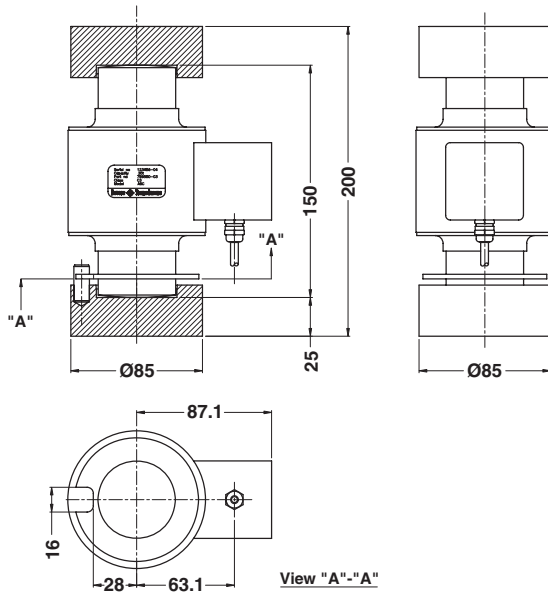
that the load cell is placed in a vertical position, and perpendicular to its mounting surfaces.

Long-term reliability is assured through the use of hardened corrosion resistive steel on all mount parts.

APPLICATIONS

- Truck and rail scale applications
- Silo and weighbridge applications

OUTLINE DIMENSIONS in mm



Mount	Assembly guidelines	P/N
Self Aligning Set	02/03-110/01	799863-00
Set of 3 eccentric washers		499125-00

Disclaimer

All product specifications and data are subject to change without notice.

Vishay Precision Group, Inc., its affiliates, agents, and employees, and all persons acting on its or their behalf (collectively, "Vishay Precision Group"), disclaim any and all liability for any errors, inaccuracies or incompleteness contained herein or in any other disclosure relating to any product.

Vishay Precision Group disclaims any and all liability arising out of the use or application of any product described herein or of any information provided herein to the maximum extent permitted by law. The product specifications do not expand or otherwise modify Vishay Precision Group's terms and conditions of purchase, including but not limited to the warranty expressed therein, which apply to these products.

No license, express or implied, by estoppel or otherwise, to any intellectual property rights is granted by this document or by any conduct of Vishay Precision Group.

The products shown herein are not designed for use in medical, life-saving, or life-sustaining applications unless otherwise expressly indicated. Customers using or selling Vishay Precision Group products not expressly indicated for use in such applications do so entirely at their own risk and agree to fully indemnify Vishay Precision Group for any damages arising or resulting from such use or sale. Please contact authorized Vishay Precision Group personnel to obtain written terms and conditions regarding products designed for such applications.

Product names and markings noted herein may be trademarks of their respective owners.